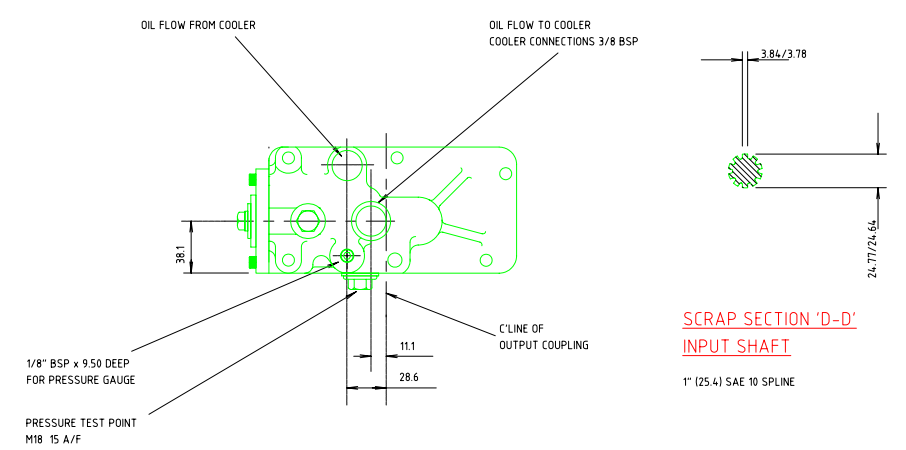
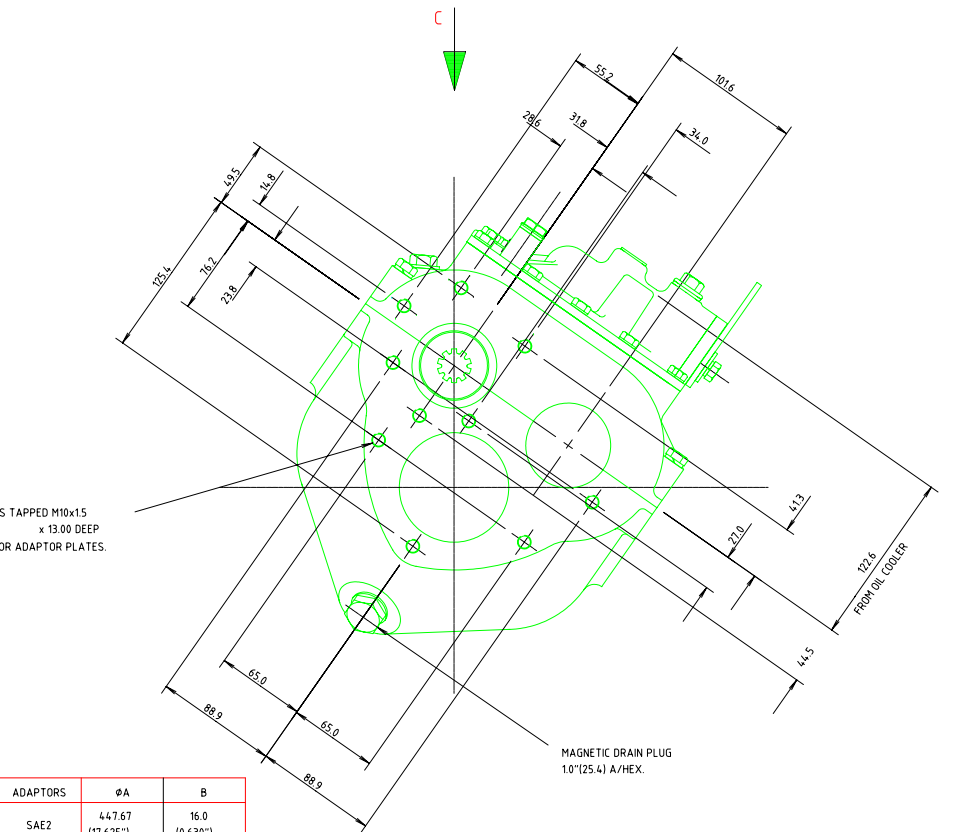


SCRAP VIEW OF COUPLING

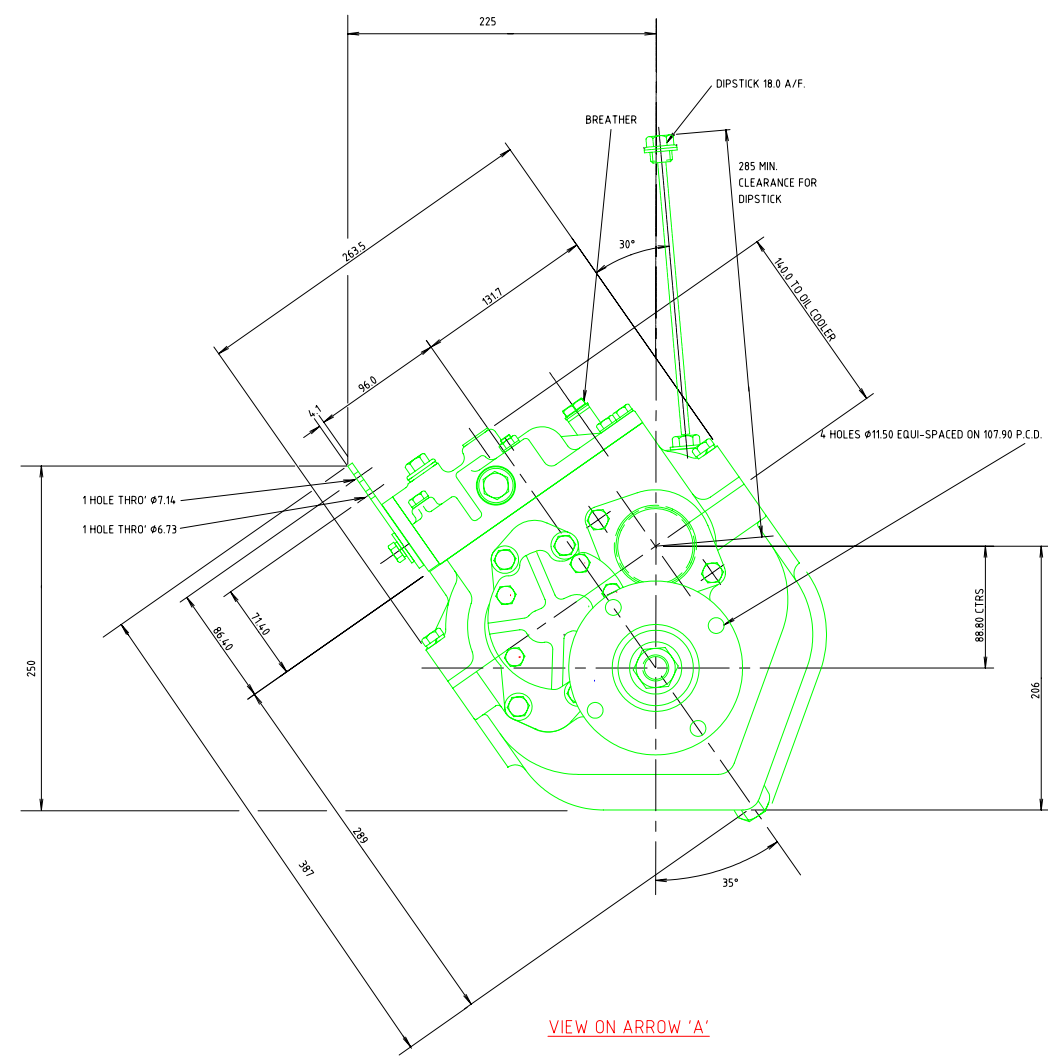
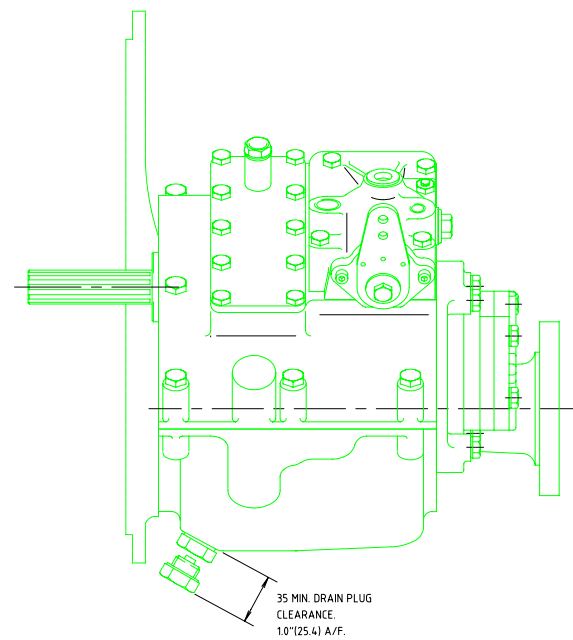


SCRAP VIEW OF VALVE BLOCK

SCRAP SECTION 'D-D' INPUT SHAFT



VIEW ON ARROW 'B'



VIEW ON ARROW 'A'

ADAPTORS	ØA	B
SAE2	44.757 (17.625")	16.0 (0.630")
SAE3	40.958 (16.125")	15.75 (0.620")
SAE4	36.195 (14.250")	19.05 (0.750")
SAE5	31.433 (12.375")	15.88 (0.625")
B/W	209.55 (8.250")	28.58 (1.250")

DIMENSIONS ARE IN mm & (inches).

- NOTES:
- APPROXIMATE OIL CAPACITY, EXCLUDING OIL COOLER 1.5 Litre (2.64 Pints).
 - OIL TYPE TO BE EITHER MOBIL DELVAC SUPER 1300 OR AN ENGINEERING APPROVED EQUIVALENT.
 - CHECK OIL LEVEL WITH DIPSTICK SCREWED IN.
 - OPERATING TEMPERATURE TO BE 50°C-80°C AND SHOULD NOT EXCEED 90°C.
 - OPERATING PRESSURE TO BE 2310 / 2655 KPa (335 / 385 lbf./in²).
 - MAXIMUM INPUT SPEED: 4000 RPM CONTINUOUS & 4500 RPM INTERMITTENT.
 - OPERATING PRESSURE NOT GUARANTEED BELOW 1500 RPM.
 - MAXIMUM WATER INLET TEMPERATURE TO COOLER TO BE 30°C.
 - APPROXIMATE DRY WEIGHT 48 KG (106 lb) EXCLUDING ADAPTOR, DRIVE COUPLING & OIL COOLER.
 - MAXIMUM FORE & AFT INSTALLATION ANGLE PERMISSABLE AT REST IS 17°.

THE INFORMATION CONTAINED ON THIS DRAWING MUST NOT BE COPIED OR LENT WITHOUT PERMISSION. COPYRIGHT © 2001 NEWAGE TRANSMISSIONS LIMITED.	UNLESS OTHERWISE STATED: 1, ALL DIMENSIONS ARE IN mm. 2, TOLERANCES : WHOLE DIM ±1mm DECIMAL DIM ±0.25mm : ANGULAR DIM ±0.5° 3, SURFACE FINISH 6.3 micron C.L.A.	DO NOT SCALE IF IN DOUBT ASK	PROJECTION : 	SCALE	HEAT TREATMENT
				1:1	
NEWAGE TRANSMISSIONS LIMITED BARLOW ROAD, COVENTRY, ENGLAND, CV2 2LD. TEL (024) 7661 7141 Email design@newage-prm.co.uk				TITLE	PART No PRM260DINST ISSUE 3
PRM260 MARINE GEARBOX INSTALLATION: ALL RATIOS				A0	

3	BREATHER WAS CP1057 NOW CP1467		
ISSUE No.	ED 5/6/03 MOD No:11881		
MODIFICATION			
CAD FILE No :	H:\MARINE\PRM260\PRM260DINST.DWG		
MATERIAL			
HEAT TREATMENT			
DRAWN	NAME M T GORDON	SIGNED	DATE 24/05/01
APPROVED			