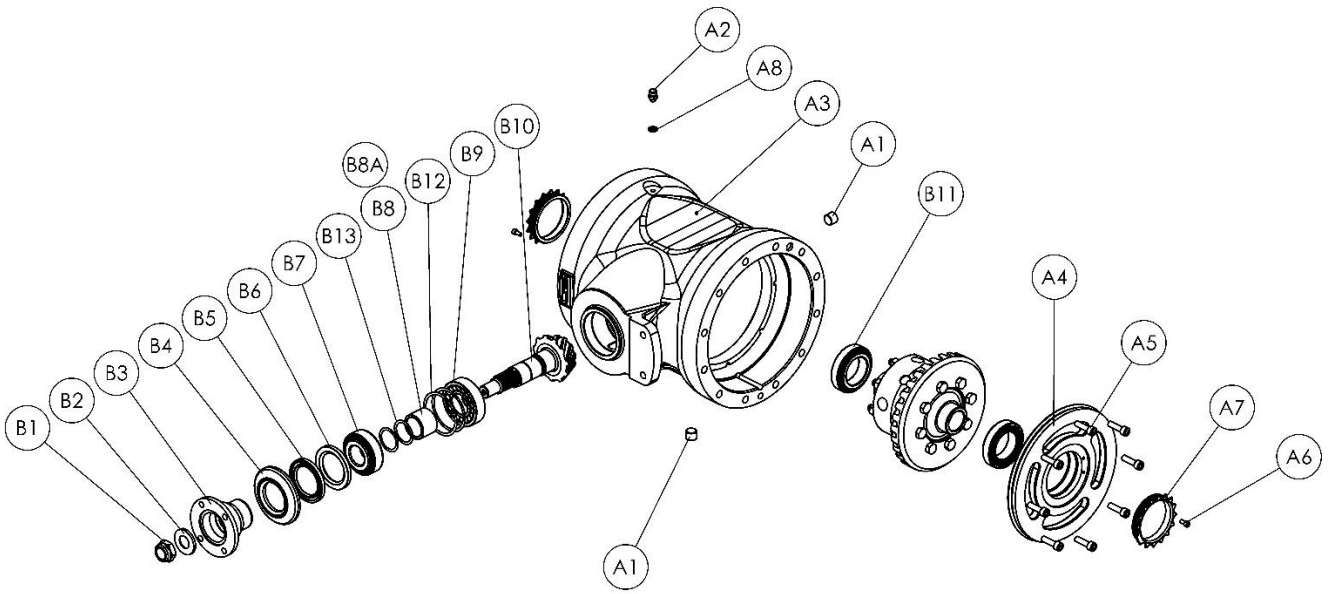


Section 'B' – Main Case and Differential Assembly

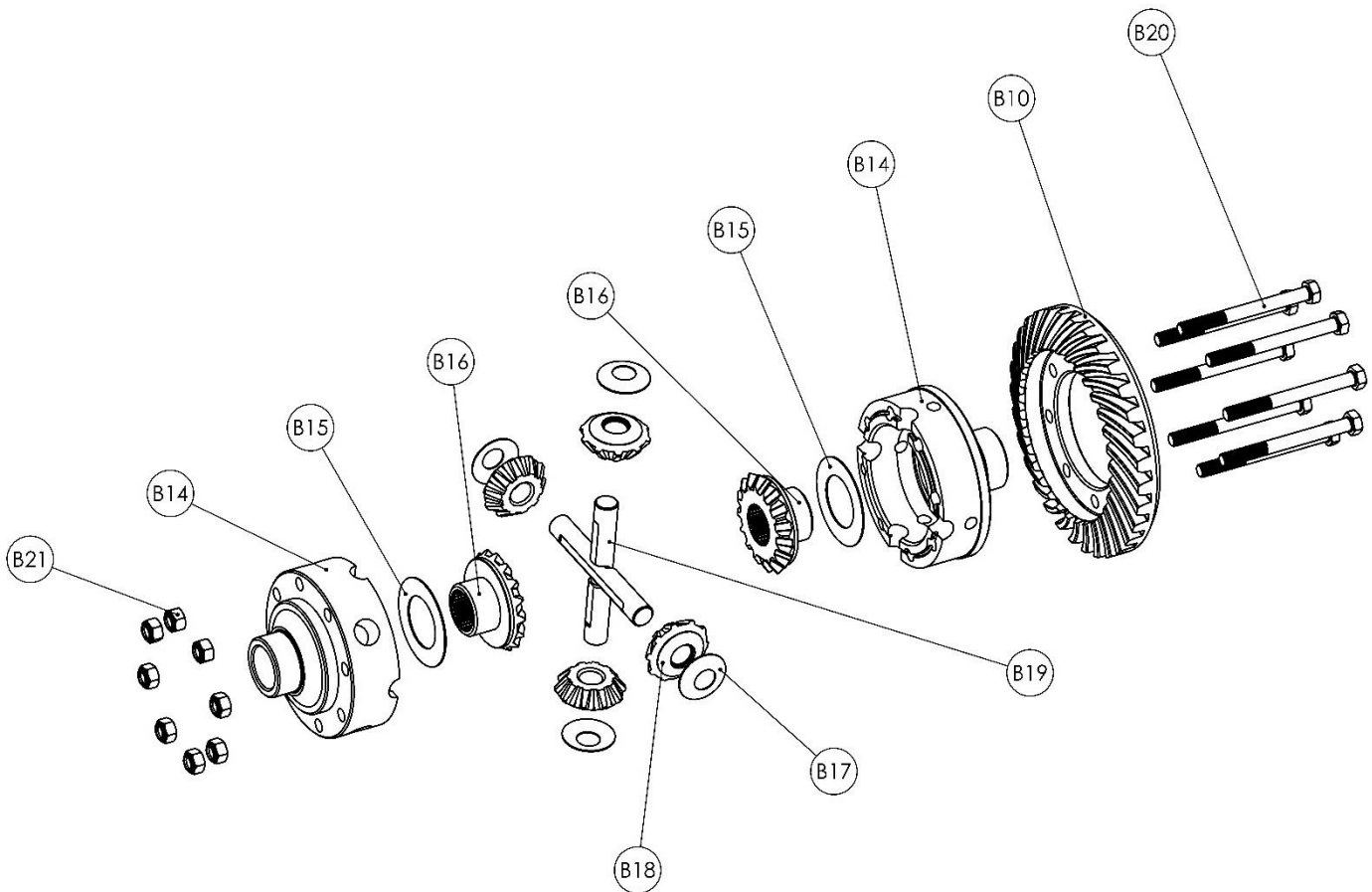
| Item | Part No | Qty | Description |
|------|--|--------|--|
| A1 | 0150250 | 2 | Drain/Level Plug |
| A2 | CP1488 | 1 | Breather |
| A3 | 612-0010 | 1 | Main Case |
| A4 | 612-0731 | 1 | Diff. Bearing Housing |
| A5 | 0081535 | 8 | Cap Screw M10x35mm |
| A6 | 0081312P | 2 | Cap Screw M6x12mm |
| A7 | 915-2151 | 2 | Bearing Adjuster Nut |
| A8 | CP1224 | 1 | Sealing Washer |
| B1 | 400-2200 | 1 | M24 Nyloc Nut |
| B2 | 915-2190 | 1 | Washer |
| B3 | 612-2180 | 1 | Input Flange SAE1410 |
| B4 | 400-0910 | 1 | Seal Cover |
| B5 | 002-0070V | 1 | Oil Seal Viton |
| B6 | 002-0070V | 1 | Oil Seal Viton |
| B7 | 055CU024H | 1 | Taper Roller Bearing |
| B8A | 400-1050 | 1 | Collapsible Spacer (0.9 mm wall thickness) |
| B8 | 216-2890 A,B,C,D,E | 1 | Spacer (5.4 mm wall thickness) |
| B9 | 055C026U057 | 1 | Taper Roller Bearing |
| B10* | 916-9820 | 1 | Crown Wheel & Pinion Set |
| B11 | 0540552H | 2 | Taper Roller Bearing |
| B12 | 057340A 057340B 057340C | As Req | Shim 0.002" Shim 0.003" Shim 0.010" |
| B13 | 057189A 057189B 057189C 057189F | As Req | Shim 0.002" Shim 0.005" Shim 0.010" Shim 0.012" |

**Includes 916-2000 Pinion and 916-2010 Crown Wheel. Matched Lapped pair can only be supplied.
B8 and B13 replaces B8A*



| Item | Part No | Qty | Description |
|------|-----------|-----|--|
| B14 | 612-9520 | 1 | Differential Case |
| B15 | 915-2110 | 2 | Thrust Washer |
| B16 | 915-2090 | 2 | Differential Wheel |
| B17 | 915-2120 | 4 | Thrust Washer |
| B18 | 915-2100 | 4 | Differential Pinion |
| B19 | 915-2130 | 2 | Spider |
| B10* | 916-9820 | 1 | Crown Wheel & Pinion Set (Pinion not shown) |
| B20 | 0041225HT | 8 | M12 Bolt |
| B21 | 007-0360 | 8 | M12 Nyloc Nut |

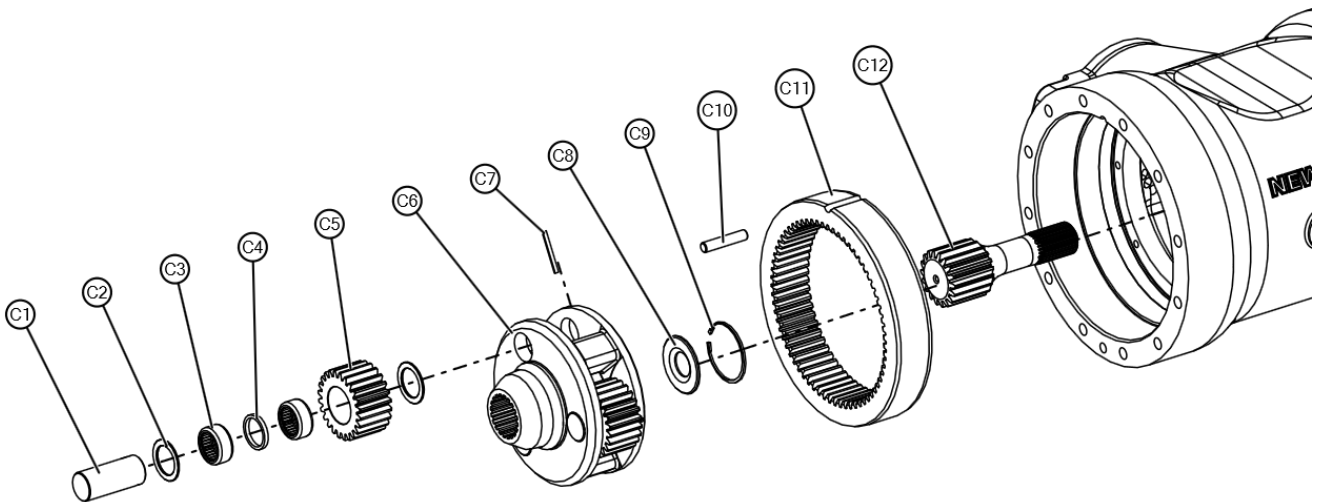
*Includes 916-2000 Pinion and 916-2010 Crown Wheel. Matched Lapped pair can only be supplied.



Section 'C' – Planet Carrier Assembly

| Item | Part No | Qty | Description |
|------|----------|-----|-----------------------|
| C1 | 612-0250 | 3 | Planet Pin |
| C2 | 915-0270 | 6 | Washer Thrust |
| C3 | 0564502 | 6 | Needle Roller Bearing |
| C4 | 612-2560 | 3 | Spacer |
| C5 | 612-0080 | 3 | Planet Gear |
| C6 | 612-0060 | 1 | Planet Carrier |
| C7 | 010-0030 | 3 | Spring Pin |
| C8 | 400-1320 | 1 | Spacer |
| C9 | 003-0120 | 1 | Circlip |
| C10 | 0211620 | 1 | Dowel |
| C11 | 612-0070 | 1 | Annulus |
| C12 | 612-0090 | 1 | Sun Gear |

NOTE: Quantities stated per side (2 Assemblies per Axle)



Section 'D' – Axle Arm, Hub and Brake Assemblies

| Arm Assembly 8 Studs M20 x 1.5 on 10.83" PCD (275mm) | | | |
|--|--------------|-----|---------------------------------|
| Item | Part No | Qty | Description |
| D1 | 0081525P | 8 | Cap Screw M10 x 25mm |
| D3 | 010N801 | 1 | Lock Nut |
| D4 | 010W801 | 1 | Lock Washer |
| D5 | 615-1440 | 1 | Spacer |
| D6 | 0540803 | 2 | Taper Roller Bearing |
| D7 | 0431343V | 1 | Viton "O" Ring |
| D10 | 613-2850 | 1 | Hub Seal |
| D11 | 612-2521-KIT | 4 | Service Brake Pad Set |
| D12 | 614-2501 | 2 | Brake Caliper |
| D13 | 0191314 | 4 | Lock Washer |
| D14 | 00816A40MZP | 4 | M14 x 40mm Cap Bolt |
| D15 | 0041614HTP | 12 | M16 x 55mm Bolt |
| D16 | 612-0021 | 1 | Axle Arm Pad 28" Mounting 0 Deg |
| D17 | 612-0050 | 1 | Hub Adaptor |
| D18 | 0081845 | 8 | Cap Head M20 x 45mm |
| D19 | 613-0040 | 1 | Wheel Hub |
| D20 | 613-0450 | 8 | M20 x 1.5 Wheel Studs |
| D21 | 613-0100 | 1 | Axle Shaft |
| D22 | 007-0410 | 8 | M20 x 1.5 Wheel Nut (NOT SHOWN) |

NOTE: Quantities stated per side (2 Assemblies per Axle)

