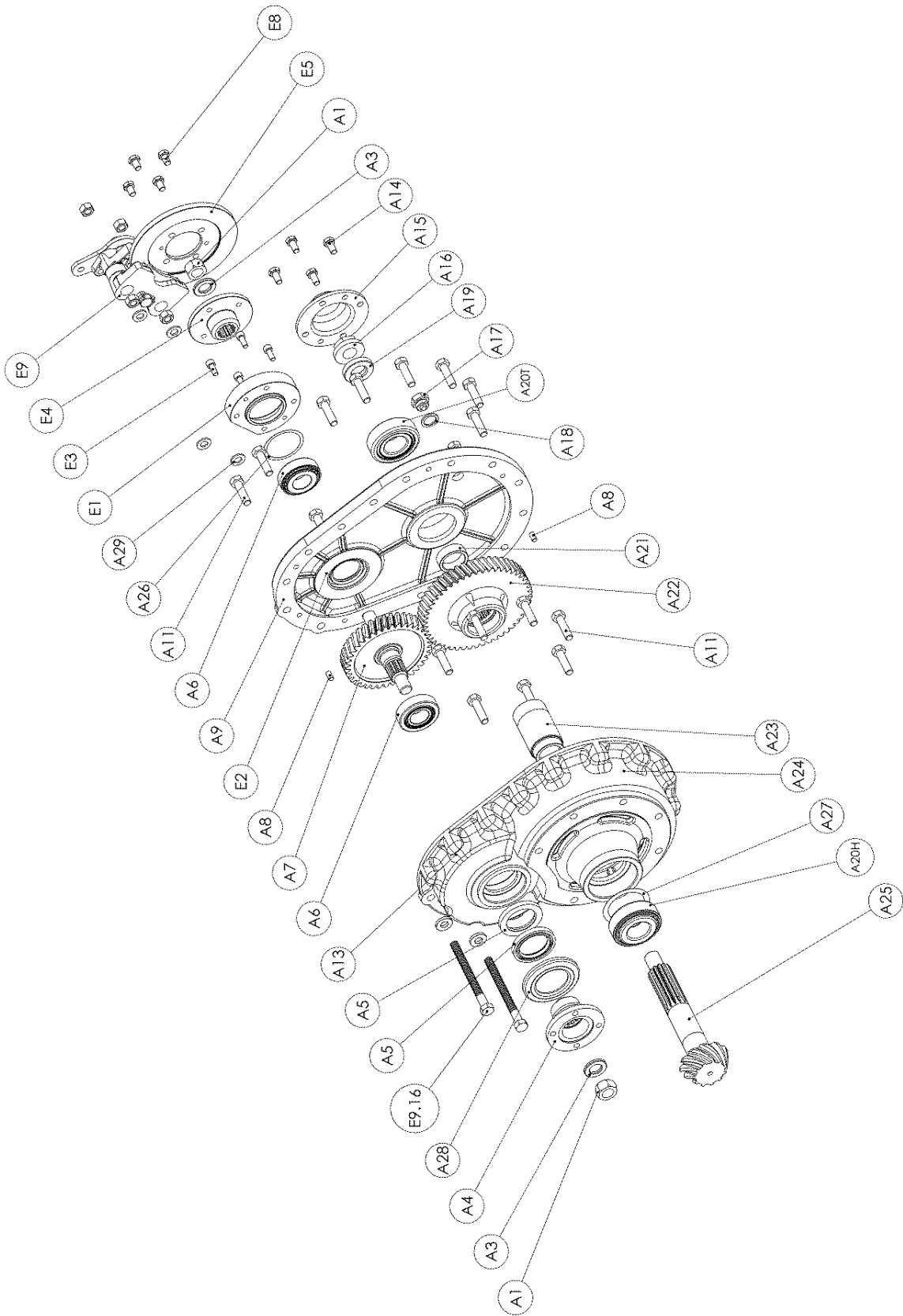


Section 'A' – Transfer Case Assembly

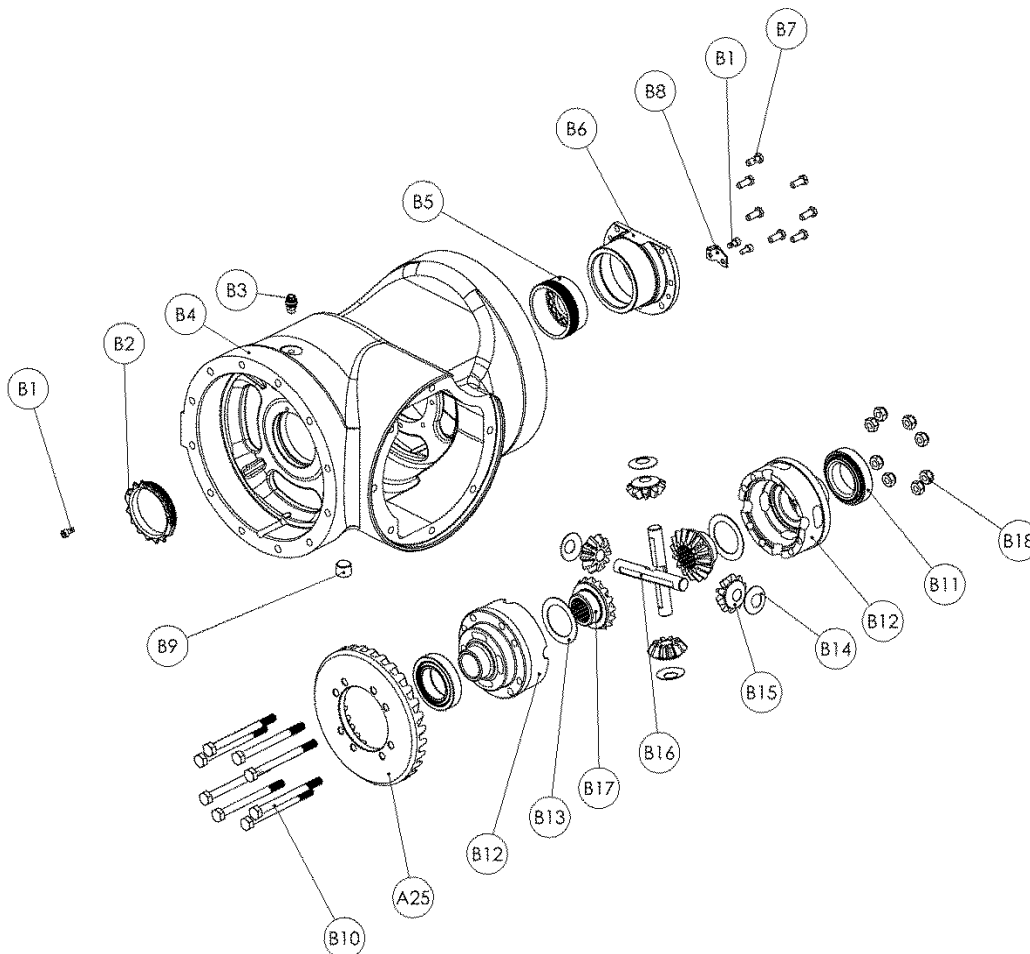
| Item | Part No | Qty | Description |
|------|---------------------------------------|----------------|---|
| A1 | 007-0130 | 1 | M20 Nut |
| A3 | 512-2191 | 1 | Coupling Washer |
| A4 | 512-2180 | 1 | HS1310 Input Coupling |
| A5 | 002-0030V | 3 | Coupling Seal |
| A6 | 055C020U043H | 2 | Taper Roller Bearing |
| A7 | 512-2352 | 1 | 0.91:1 Input Pinion 512PB14T072 ONLY |
| | 512-2331 | | 1:1 Input Pinion 512PB16T072 ONLY |
| | 512-2351 | | 1.26:1 Input Pinion 512PB20T072 ONLY |
| A8 | 0210815 | 2 | Dowel |
| A9 | 512-2312 | 1 | Transfer Case Rear |
| A11 | 0041212P | 20 | M12 x 45mm Bolt |
| A14 | 0041007P | 4 | M10 x 20mm Bolt |
| A15 | 512-2360 | 1 | Lower End Cover |
| A16 | 512-2200 | 1 | M24 Flange Nut |
| A17 | CP1331 | 1 | Level/Filler Plug |
| A18 | 0201714 | 1 | Dowty Washer |
| A19 | 512-2190 | 1 | Pinion washer |
| A20T | 055CU024T (<i>small int radius</i>) | 1 | Rear Pinion Taper Roller Bearing |
| A20H | 055CU024H (<i>large int radius</i>) | 1 | Front Pinion Taper Roller Bearing |
| A21 | 512-2891/Q1 | 1 | Solid Spacer Shim |
| A22 | 512-2342 | 1 | 0.91:1 Input Wheel 512PB14T072 ONLY |
| | 512-2320 | | 1:1 Input Wheel 512PB16T072 ONLY |
| | 512-2340 | | 1.26:1 Input Wheel 512PB20T072 ONLY |
| A23 | 512-2890 | 1 | Pinion Spacer Drawing Issue 2 must be used with axles delivered pre June 2014 * Drawing Issue 3 must be used with axles delivered post June 2014 * |
| A24 | 512-2302 | 1 | Transfer Case Front |
| A25 | 513-9820 | 1 | Crown Wheel & Pinion Drawing Issue 1 must be used with axles delivered pre June 2014 * Drawing Issue 2 must be used with axles delivered post June 2014 * |
| A26 | 360-2350 | As Required | Shim 0.25 mm (0.010") |
| | 360-2290 | | Shim 0.40mm (0.016") |
| | 360-2210 | | Shim 0.30 mm (0.012") |
| A27 | 057313A | As Required | Shim 0.05 mm (0.002") |
| | 057313B | | Shim 0.08mm (0.003") |
| | 057313C | | Shim 0.25 mm (0.010") |
| A28 | 250-0910 | 1 | Oil Seal Cover |

* NOTE: DRAWING ISSUES ARE FOR INTERNAL USE ONLY. (SERIAL NUMBER IDENTIFIES THESE PARTS)



Section 'B' – Main Case and Differential Assembly

| Item | Part No | Qty | Description |
|------|--------------|-----|-----------------------------|
| B1 | 0081312P | 3 | M6 x 12mm Cap Bolt |
| B2 | 512-2151 | 1 | Bearing Adjuster Nut |
| B3 | CP1488 | 1 | Breather |
| B4 | 512-0010 | 1 | Main Case |
| B5 | 512-2150 | 1 | Bearing Adjuster Nut |
| B6 | 512-0730 | 1 | Bearing Housing |
| B7 | 0040807P | 7 | M8 x 20mm Bolt |
| B8 | 616-2160 | 1 | Bearing Adjuster Lock Plate |
| B9 | 0150250 | 1 | ½" BSP Drain Plug |
| B10 | 0041024HT | 8 | M10 x 120mm Bolt |
| B11 | 055C028U049H | 2 | Taper Roller Bearing |
| B12 | 615-9521 | 1 | Differential Case |
| B13 | 400-2110 | 2 | Diff Wheel Thrust Washer |
| B14 | 400-2120 | 4 | Diff Pinion Thrust Washer |
| B15 | 410-2100 | 4 | Diff Pinion |
| B16 | 413-2130 | 2 | Diff Spider |
| B17 | 410-2090 | 2 | Diff Wheel |
| B18 | 0051006HT | 8 | M10 Nut |



Section 'C' – Planet Carrier Assembly

| Item | Part No | Qty | Description |
|------|----------------------|-----|---|
| C1 | 400-0250 | 3 | Planet Pin |
| C2 | 400-0270 | 6 | Thrust Washer |
| C3 | 0562005 | 3 | Needle Roller Bearing |
| C4 | 400-0080 | 3 | Planet Gear |
| C5 | 512-0060 | 1 | Planet Carrier |
| C6 | 010-0030 | 3 | Spring Pin |
| C7 | 400-1320 | 1 | Spacer |
| C8 | 003-0120 | 1 | Circlip |
| C9 | 512-0091 512-0093 | 1 | Short Arm Sun Gear Long Arm Sun Gear |
| C10 | 512-0070 | 1 | Annulus |
| C11 | 0211250 | 1 | Dowel |

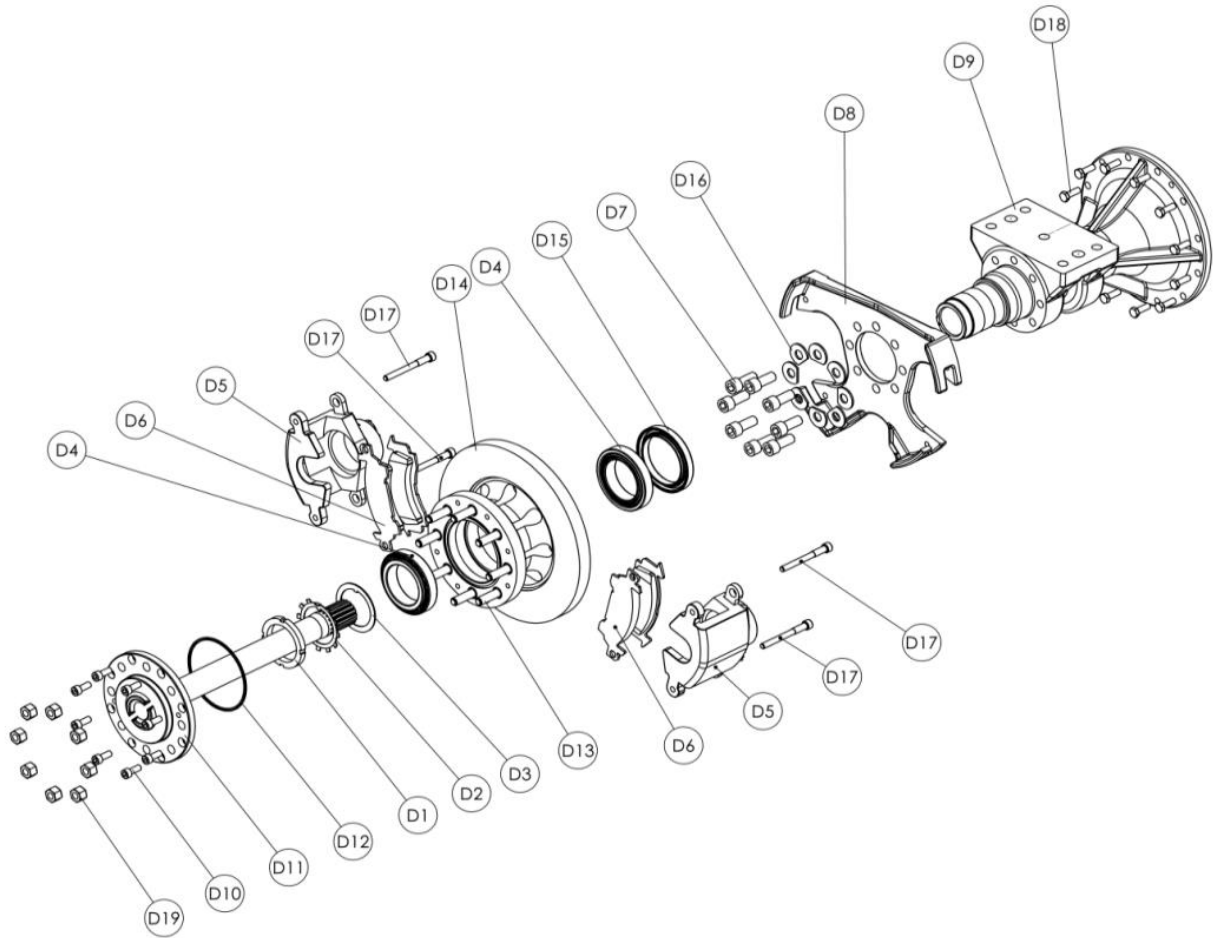
NOTE: Quantities stated per side (2 Assemblies per Axle)



Section 'D' – Axle Arm, Hub and Brake Assemblies

| Item | Part No | Qty | Description |
|------|--|-----|--|
| D1 | 007-0260 | 1 | M70 Lock Nut |
| D2 | 009-0230 | 1 | Locking Washer |
| D3 | 435-1440 | 1 | Thrust Washer |
| D4 | 0540751H | 2 | Taper Roller Bearing |
| D5 | 512-2500 | 2 | Brake Caliper (includes D6 & D17) |
| D6 | 512-2510 | 4 | Brake Pad |
| | order 512-2510-KIT (8 Brake Pads) and replace all pads on the axle at the same time. | | |
| D7 | 0081740P | 8 | M16 x 40mm Cap Bolt |
| D8 | 512-2400 | 1 | Caliper Carrier |
| D9 | 512-0020 512-0021 513-0020 (Batch W15455 Onwards) 513-0021 (Batch W15455 Onwards) | 1 | Long Axle Arm (Narrow Pad) Short Axle Arm (Narrow Pad) Long Axle Arm (Narrow Pad) Short Axle Arm (Narrow Pad) |
| D10 | 0081525P | 8 | M10 x 25mm Cap Bolt |
| D11 | 512-0102 512-0103 | 1 | Short Axle Shaft Long Axle Shaft |
| D12 | 0431303V | 1 | O Ring |
| D13 | 512-0452 | 8 | 9/16 UNF x 18 Wheel Stud |
| D14 | 512-0040 515-0040 (Batch W15455 Onwards) | 1 | Wheel Hub / Brake Disc |
| D15 | 417-2850 613-2850 (Batch W15455 Onwards) | 1 | Hub Seal |
| D16 | 512-2192 | 8 | Caliper Carrier Washer |
| D17 | See D5 | 4 | Caliper Mounting Bolt |
| D18 | 0041210HTP | 12 | M12 x 35mm Bolt |
| D19 | 007-0400 | 8 | 9/16 UNF x 18 Wheel Nut |

NOTE: Quantities stated per side (2 Assemblies per Axle)



Section 'E' – Park Brake Assembly

| Item | Part No | Qty | Description |
|------|----------|----------------|-----------------------|
| E1 | 512-2372 | 1 | Seal Housing |
| E2 | 0400483V | 1 | Oil Seal |
| E3 | 0081420P | 4 | M8 x 20mm Cap Screw |
| E4 | 512-2181 | 1 | Park Brake Flange |
| E5 | 512-0750 | 1 | Park Brake Disc |
| E6 | 512-2191 | 1 | Flange Washer |
| E7 | 007-0130 | 1 | M20 Nut |
| E8 | 0041006 | 4 | M10 x 16mm Screw |
| E9 | 512-2520 | 1 | Park Brake Caliper |
| A26 | 360-2350 | As Required | Shim 0.25 mm (0.010") |
| | 360-2290 | | Shim 0.40mm (0.016") |
| | 360-2210 | | Shim 0.30 mm (0.012") |

