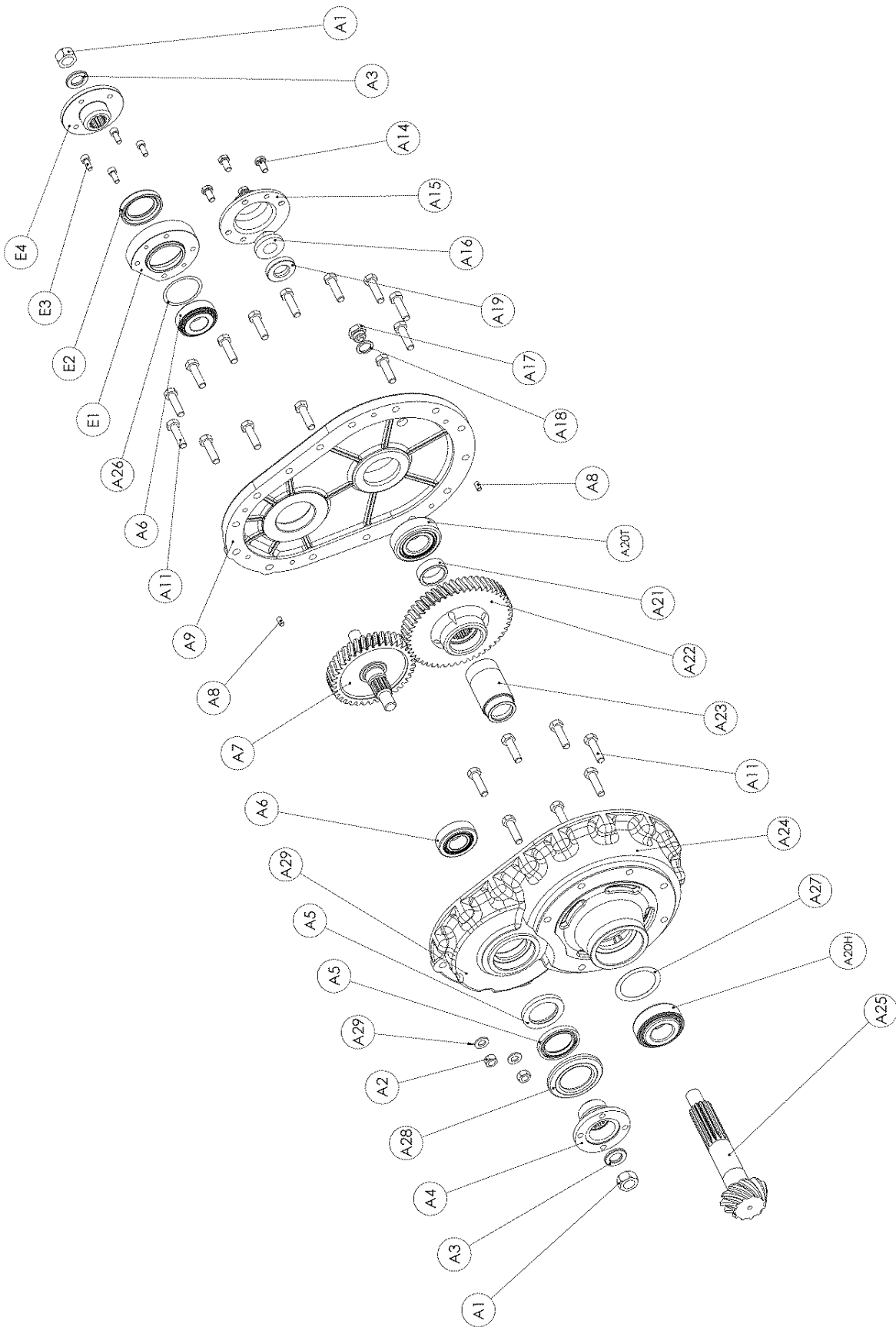


### Section 'A' – Transfer Case Assembly

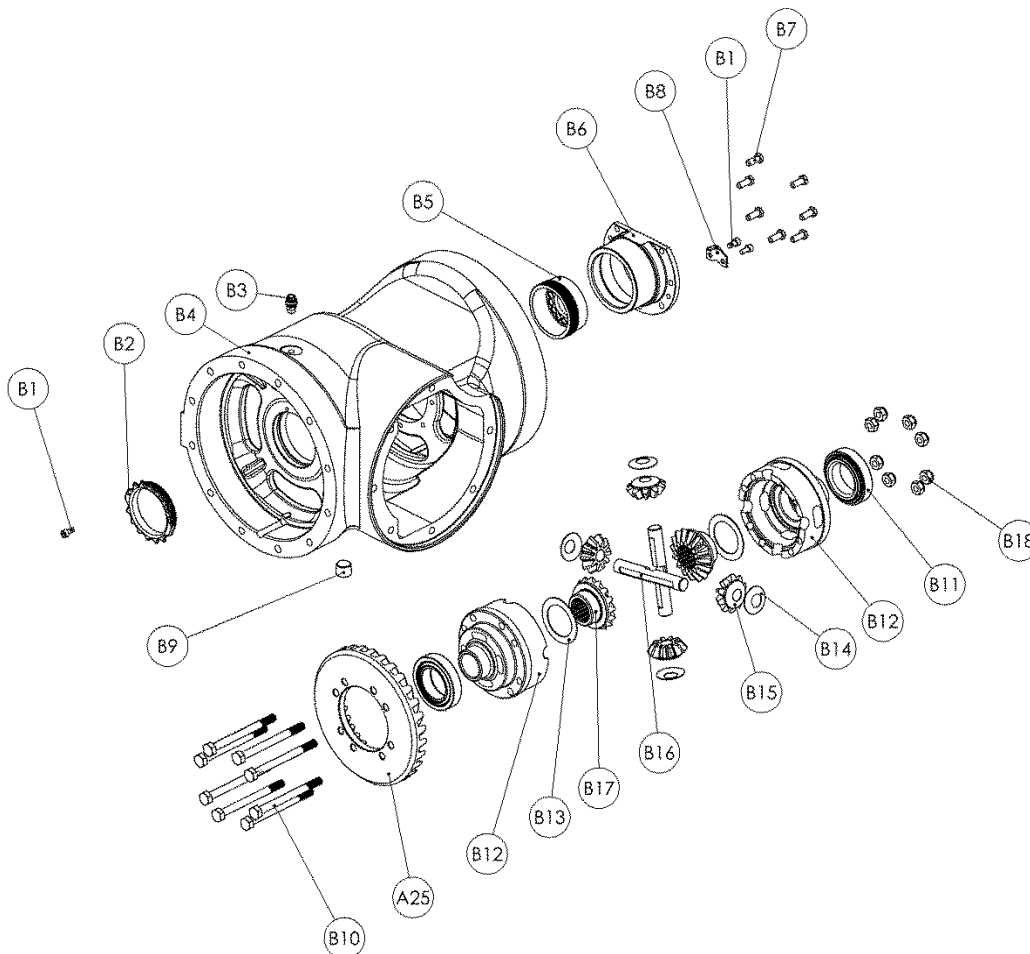
Item	Part No	Qty	Description
A1	007-0130	1	M20 Nut
A3	512-2191	1	Coupling Washer
A4	512-2180	1	HS1310 Input Coupling
A5	002-0030V	3	Coupling Seal
A6	055C020U043H	2	Taper Roller Bearing
A7	512-2352	1	0.91:1 Input Pinion 512B14T082 ONLY
	512-2331		1:1 Input Pinion 512B16T082 ONLY
	512-2351		1.26:1 Input Pinion 512B20T082 ONLY
A8	0210815	2	Dowel
A9	512-2312	1	Transfer Case Rear
A11	0041212P	20	M12 x 45mm Bolt
A14	0041007P	4	M10 x 20mm Bolt
A15	512-2360	1	Lower End Cover
A16	512-2200	1	M24 Flange Nut
A17	CP1331	1	Level/Filler Plug
A18	0201714	1	Dowty Washer
A19	512-2190	1	Pinion washer
A20T	055CU024T ( <i>small int radius</i> )	1	Rear Pinion Taper Roller Bearing
A20H	055CU024H ( <i>large int radius</i> )	1	Front Pinion Taper Roller Bearing
A21	512-2891/Q1	1	Solid Spacer Shim
A22	512-2342	1	0.91:1 Input Wheel 512B14T082 ONLY
	512-2320		1:1 Input Wheel 512B16T082 ONLY
	512-2340		1.26:1 Input Wheel 512B20T082 ONLY
A23	512-2890	1	Pinion Spacer Drawing Issue 2 must be used with axles delivered pre June 2014 * Drawing Issue 3 must be used with axles delivered post June 2014 *
A24	512-2302	1	Transfer Case Front
A25	513-9820	1	Crown Wheel & Pinion Drawing Issue 1 must be used with axles delivered pre June 2014 * Drawing Issue 2 must be used with axles delivered post June 2014 *
A26	360-2350	As Required	Shim 0.25 mm (0.010")
	360-2290		Shim 0.40mm (0.016")
	360-2210		Shim 0.30 mm (0.012")
A27	057313A	As Required	Shim 0.05 mm (0.002")
	057313B		Shim 0.08mm (0.003")
	057313C		Shim 0.25 mm (0.010")
A28	250-0910	1	Oil Seal Cover

\* NOTE: DRAWING ISSUES ARE FOR INTERNAL USE ONLY. (SERIAL NUMBER IDENTIFIES THESE PARTS)



### Section 'B' – Main Case and Differential Assembly

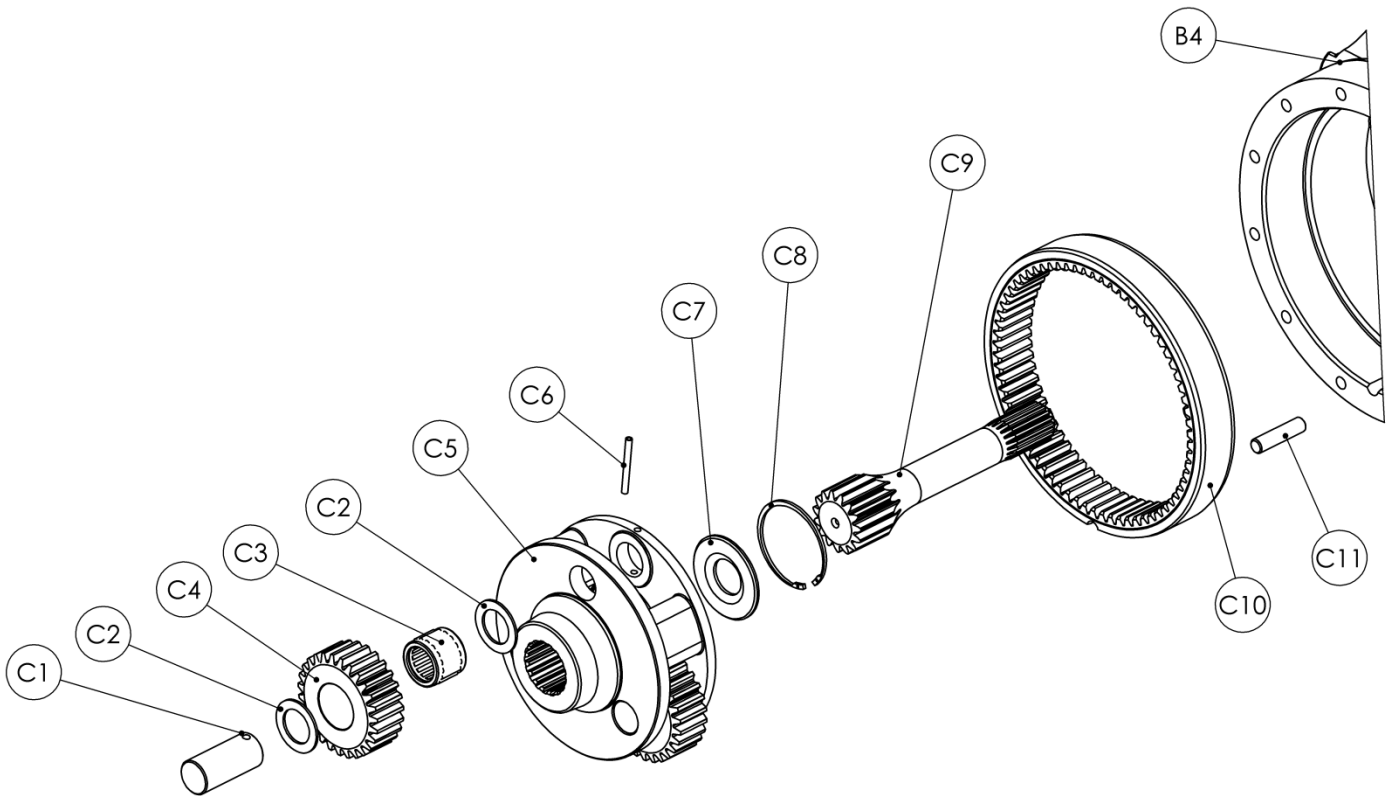
Item	Part No	Qty	Description
B1	0081312P	3	M6 x 12mm Cap Bolt
B2	512-2151	1	Bearing Adjuster Nut
B3	CP1488	1	Breather
B4	512-0010	1	Main Case
B5	512-2150	1	Bearing Adjuster Nut
B6	512-0730	1	Bearing Housing
B7	0040807P	7	M8 x 20mm Bolt
B8	616-2160	1	Bearing Adjuster Lock Plate
B9	0150250	1	½" BSP Drain Plug
B10	0041024HT	8	M10 x 120mm Bolt
B11	055C028U049H	2	Taper Roller Bearing
B12	615-9521	1	Differential Case
B13	400-2110	2	Diff Wheel Thrust Washer
B14	400-2120	4	Diff Pinion Thrust Washer
B15	410-2100	4	Diff Pinion
B16	413-2130	2	Diff Spider
B17	410-2090	2	Diff Wheel
B18	0051006HT	8	M10 Nut



### Section 'C' – Planet Carrier Assembly

Item	Part No	Qty	Description
C1	400-0250	3	Planet Pin
C2	400-0270	6	Thrust Washer
C3	0562005	3	Needle Roller Bearing
C4	400-0080	3	Planet Gear
C5	512-0060	1	Planet Carrier
C6	010-0030	3	Spring Pin
C7	400-1320	1	Spacer
C8	003-0120	1	Circlip
C9	512-0091 512-0093	1	Short Arm Sun Gear Long Arm Sun Gear
C10	512-0070	1	Annulus
C11	0211250	1	Dowel

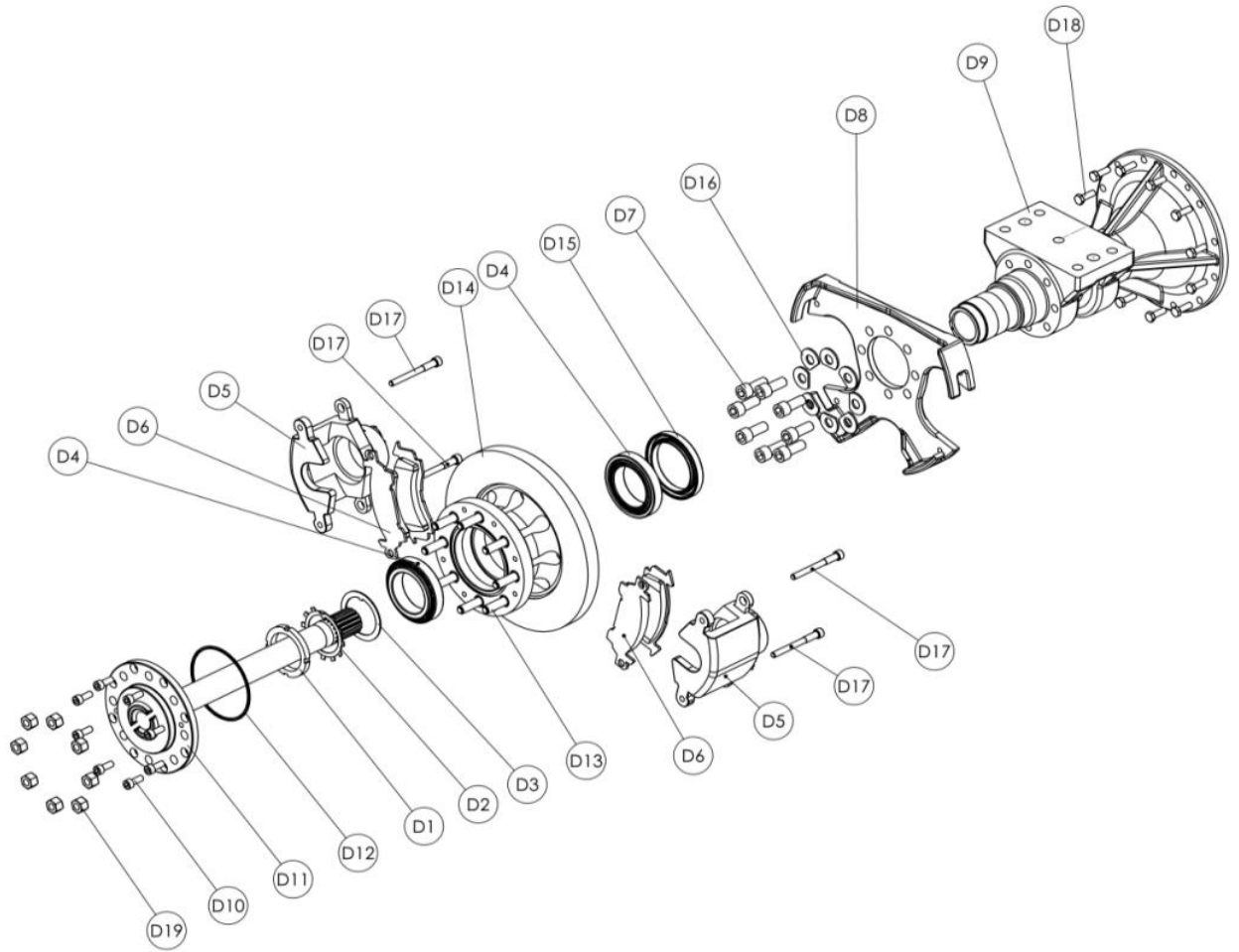
**NOTE: Quantities stated per side (2 Assemblies per Axle)**



### Section 'D' – Axle Arm, Hub and Brake Assemblies

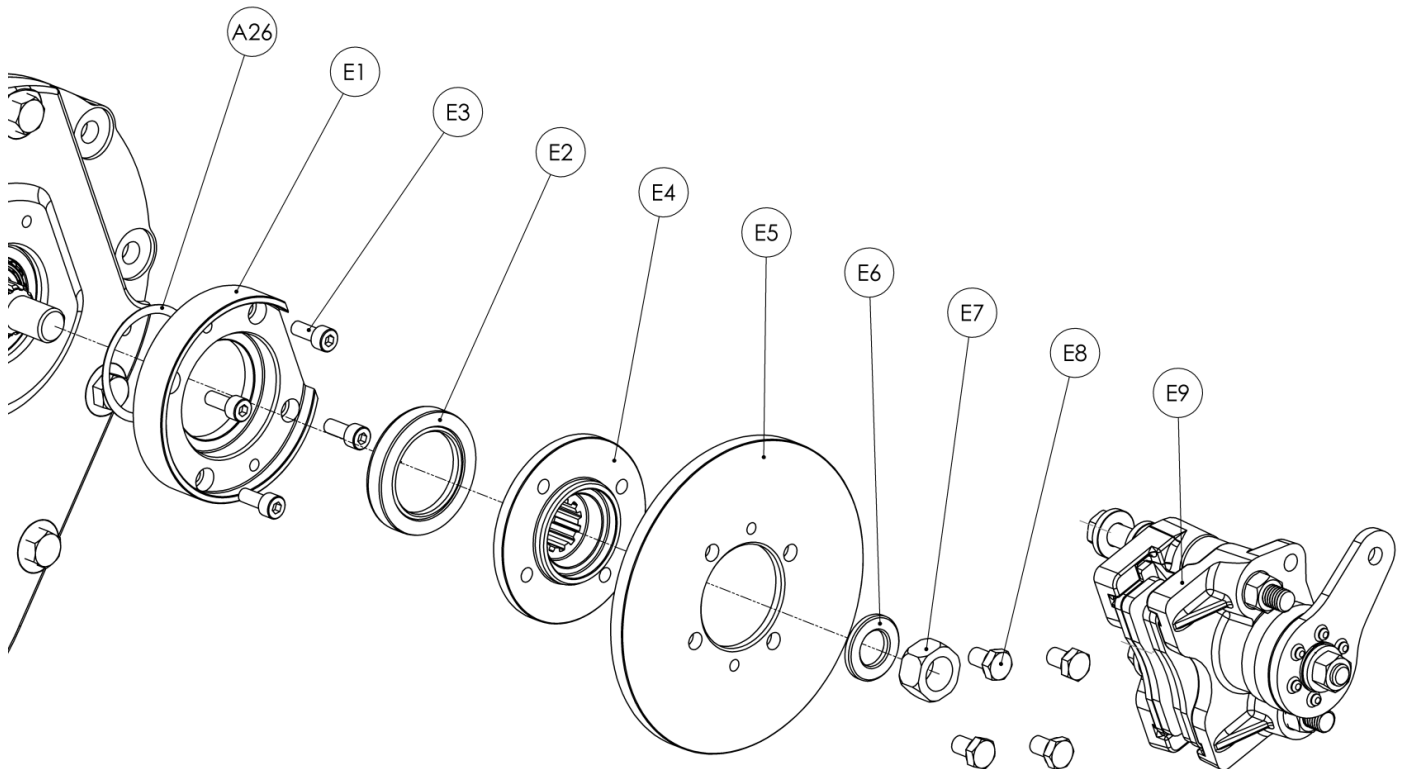
Item	Part No	Qty	Description
D1	007-0260	1	M70 Lock Nut
D2	009-0230	1	Locking Washer
D3	435-1440	1	Thrust Washer
D4	0540751H	2	Taper Roller Bearing
D5	512-2500	2	Brake Caliper (includes D6 & D17)
D6	512-2510	4	Brake Pad
	order 512-2510-KIT (8 Brake Pads) and replace all pads on the axle at the same time.		
D7	0081740P	8	M16 x 40mm Cap Bolt
D8	512-2400	1	Caliper Carrier
D9	513-0024 513-0025	1	Long Axle Arm Short Axle Arm
D10	0081525P	8	M10 x 25mm Cap Bolt
D11	512-0102 512-0103	1	Short Axle Shaft Long Axle Shaft
D12	0431303V	1	O Ring
D13	512-0452	8	9/16 UNF x 18 Wheel Stud
D14	515-0040	1	Wheel Hub / Brake Disc
D15	613-2850	1	Hub Seal
D16	512-2192	8	Caliper Carrier Washer
D17	See D5	4	Caliper Mounting Bolt
D18	0041210HTP	12	M12 x 35mm Bolt
D19	007-0400	8	9/16 UNF x 18 Wheel Nut

**NOTE: Quantities stated per side (2 Assemblies per Axle)**



### Section 'E' – Park Brake Ready Assembly

Item	Part No	Qty	Description
E1	512-2372	1	Seal Housing
E2	0400483V	1	Oil Seal
E3	0081420P	4	M8 x 20mm Cap Screw
E4	512-2181	1	Park Brake Flange
E6	512-2191	1	Flange Washer
E7	007-0130	1	M20 Nut
A26	360-2350 360-2290 360-2210	As Required	Shim 0.25 mm (0.010") Shim 0.40mm (0.016") Shim 0.30 mm (0.012")



**\* NOTE: PARK BRAKE READY AXLES DO NOT REQUIRE PARTS E5, E8 AND E9**