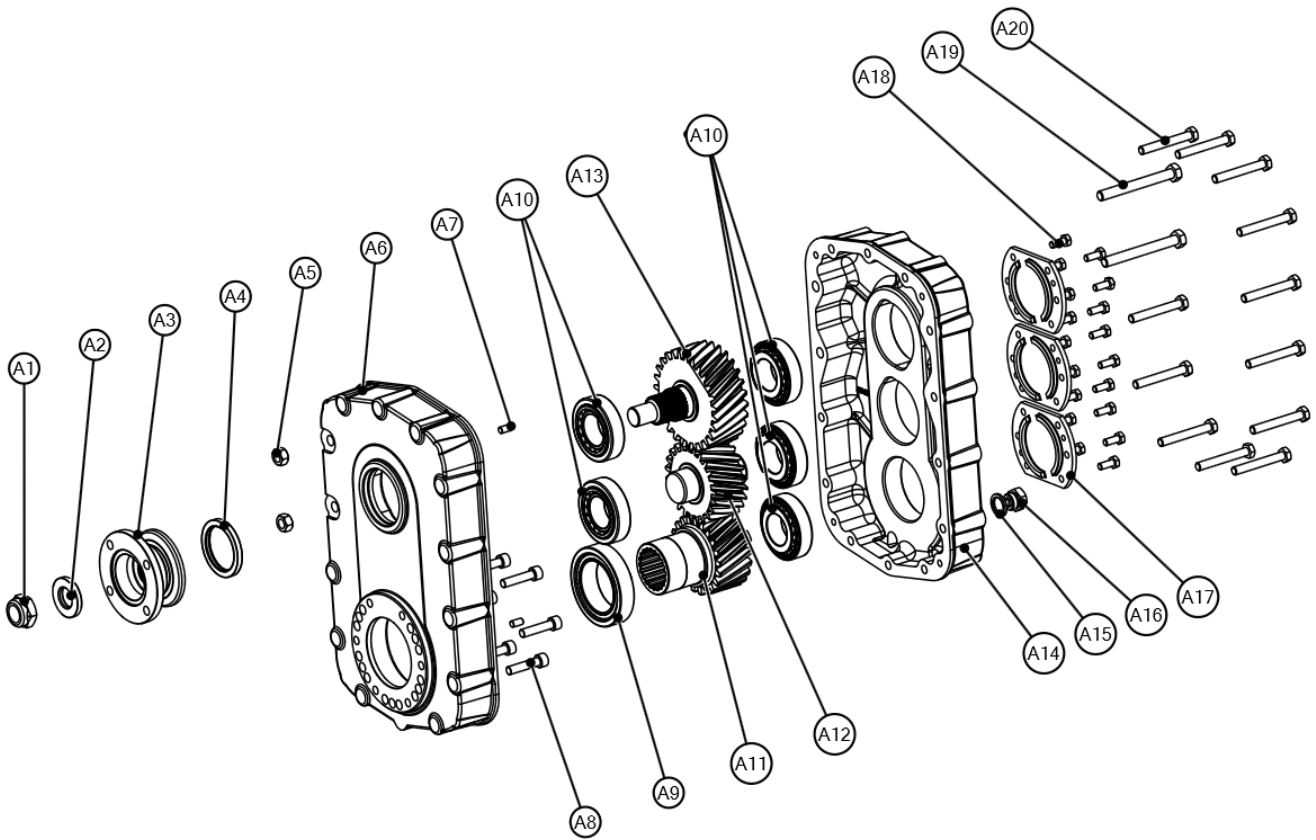


613PB20T071 = 19.7:1 AXLE

Section 'A' – Transfer Case Assembly

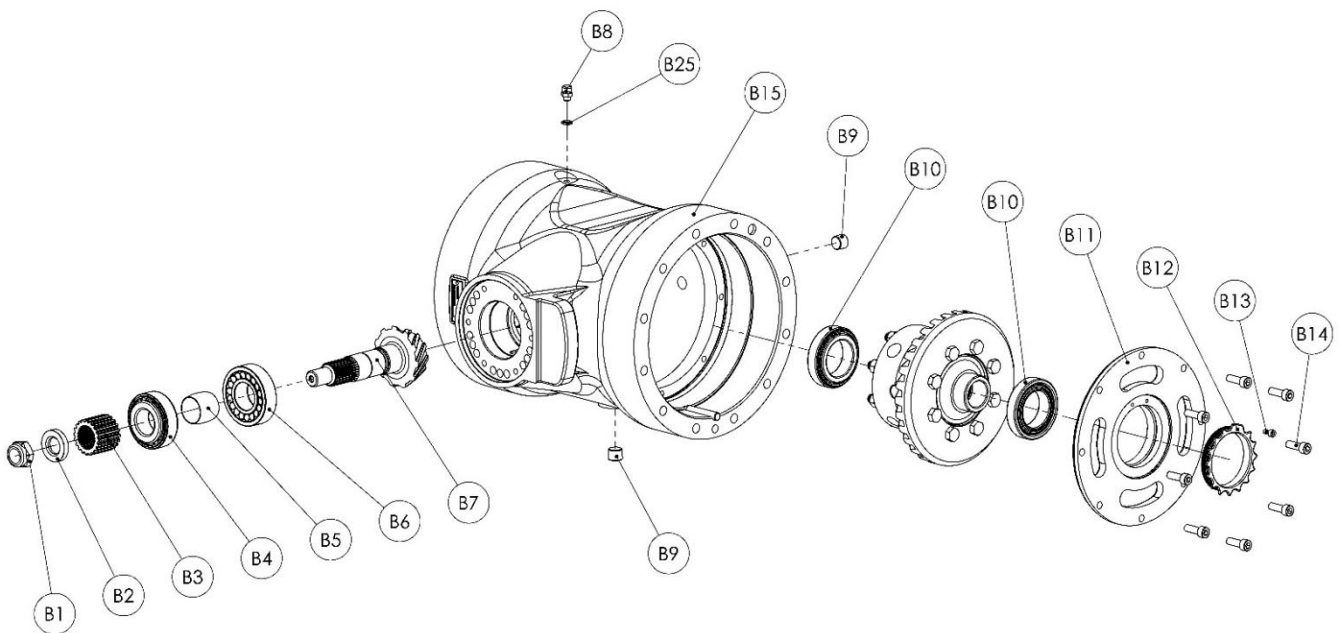
Item	Part No	Qty	Description
A1	400-2200	1	M24 Nyloc Nut
A2	613-2191	1	Washer
A3	613-2180	1	Drive Flange (HS1410)
A4	0400561V	1	Oil Seal
A5	0051201	2	M12 Nut
A6	613-2300	1	LH Transfer Case
A7	0210815	2	Dowel
A8	0081550	6	M10 Cap Bolt
A9	0540651	1	Taper Roller Bearing
A10	0540404	5	Taper Roller Bearing
A11	613-2340	1	Output Gear
A12	613-2330	1	Idler Gear
A13	613-2320	1	Input Gear
A14	613-2310	1	RH Transfer Case
A15	0201714	1	Bonded Washer
A16	CP1331	1	Magnetic Drain Plug
A17	613-2360	3	End Cover
A18	0040807P	18	M8 Bolt
A19	0041224	2	M12 Bolt
A20	0041018	12	M10 Bolt

NOTE: Shims not shown.

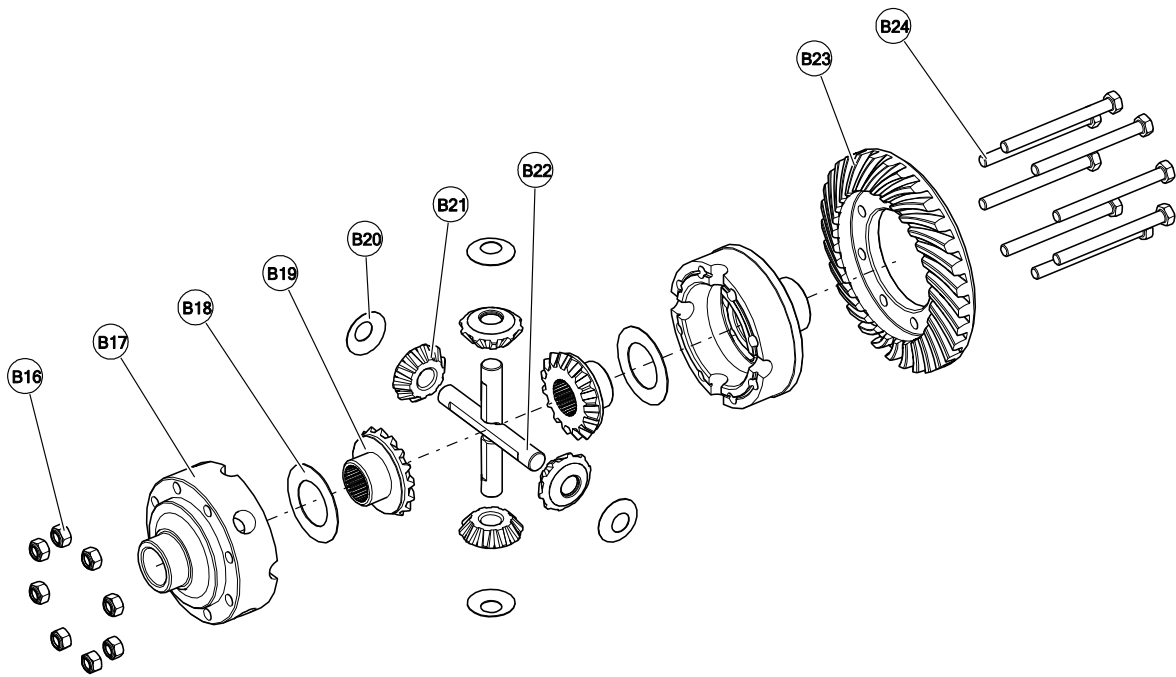


Section 'B' – Main Case and Differential Assembly

Item	Part No	Qty	Description
B1	400-2200	1	M24 Nyloc Nut
B2	613-2190	1	Washer
B3	613-2920	1	Spline Adaptor
B4	400-1050	1	Collapsible Spacer
B5	055CU024H	1	Taper Roller Bearing
B6	055C026U057	1	Taper Roller Bearing
B7	916-9820	1	Crown Wheel & Pinion Set
B8	CP1498S/A	1	Breather
B9	0150250	2	Drain Plug & level plug
B10	0540552H	2	Taper Roller Bearing
B11	612-0731	1	Diff. Bearing Housing
B12	915-2151	2	Diff. Bearing Adjuster Nut
B13	0081312P	2	M6 Cap Bolt
B14	0081530	8	M10 Cap Bolt
B15	613-0010	1	Main Case
B25	Part of B8 - CP1498S/A	n/a	Sealing Washer



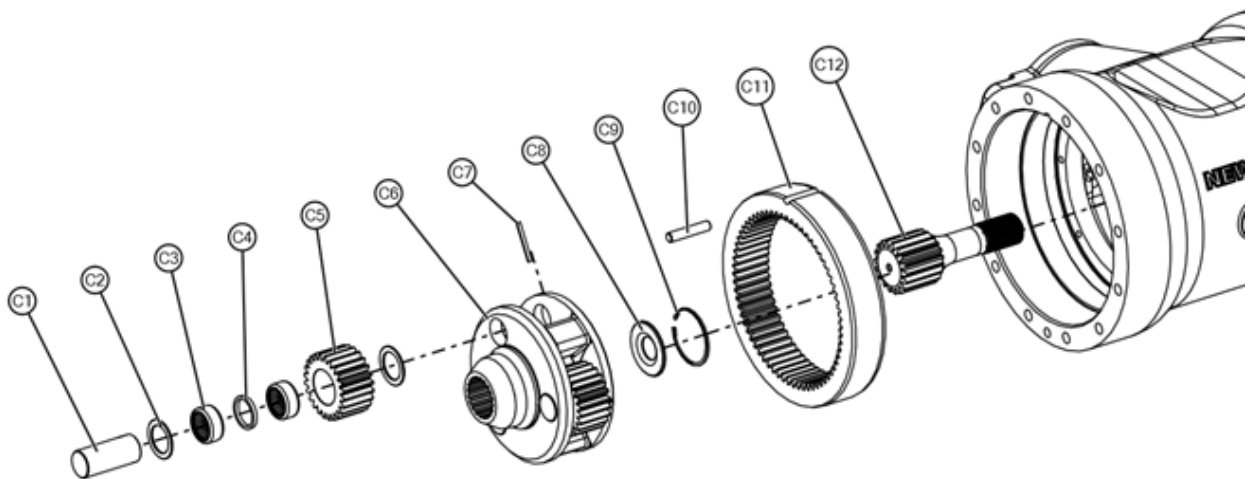
Item	Part No	Qty	Description
B16	007-0360	8	M12 Nyloc Nut
B17	612-9520	1	Differential Case
B18	915-2110	2	Thrust Washer
B19	915-2090	2	Differential Wheel
B20	915-2120	4	Thrust Washer
B21	915-2100	4	Differential Pinion
B22	915-2130	2	Spider
B23	916-9820	1	Crown Wheel & Pinion Set (Pinion not shown)
B24	0041225HT	8	M12 Bolt



Section 'C' – Planet Carrier Assembly

Item	Part No	Qty	Description
C1	612-0250	3	Planet Pin
C2	915-0270	6	Washer Thrust
C3	0564502	6	Needle Roller Bearing
C4	612-2560	3	Spacer
C5	612-0080	3	Planet Gear
C6	612-0060	1	Planet Carrier
C7	010-0030	3	Spring Pin
C8	400-1320	1	Spacer
C9	003-0120	1	Circlip
C10	0211620	1	Dowel
C11	612-0070	1	Annulus
C12	612-0091	1	Sun Gear

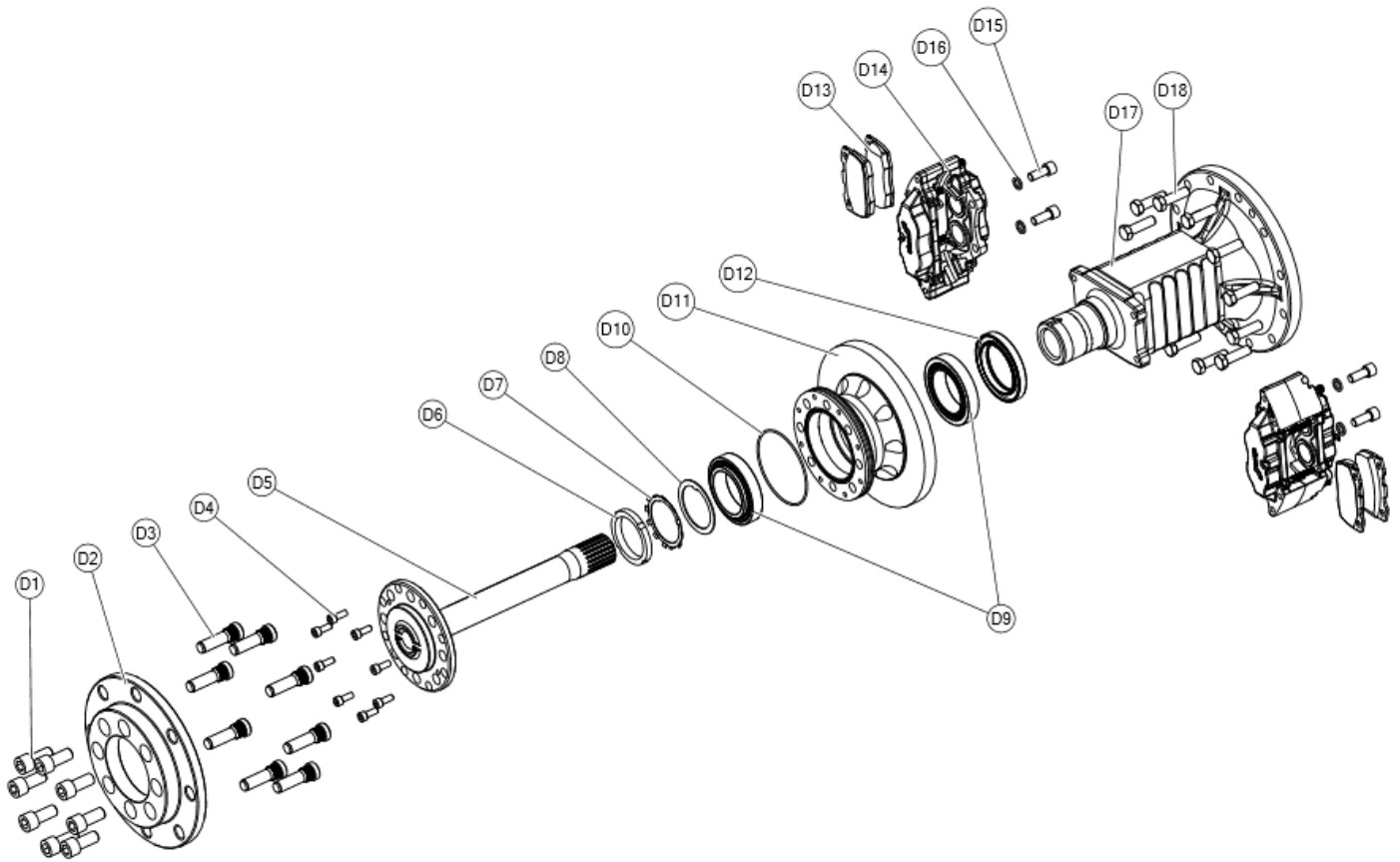
NOTE: Quantities stated per side (2 Assemblies per Axle)



Section 'D' – Axle Arm, Hub and Brake Assemblies

Item	Part No	Qty	Description
D1	0081845	8	M20 Cap Bolt
D2	612-0050	1	Hub Adaptor
D3	613-0450	8	M20 Wheel Stud
D4	0081525P	8	M10 Cap Bolt
D5	613-0100	1	Axle Shaft
D6	010N801	1	Lock Nut
D7	010W801	1	Lock Washer
D8	615-1440	1	Spacer
D9	0540803	2	Taper Roller Bearing
D10	0431343V	1	O-Ring
D11	613-0040	1	Wheel Hub
D12	613-2850	1	Hub Seal
D13	612-2520-KIT	4	Brake Pads
	Order 613-2520-KIT (8 Brake Pads) and replace all pads on the axle		
D14	614-2501	2	Brake Caliper (includes D13)
D15	00816A40MZP	4	M14 Cap Bolt
D16	0191314	8	Washer
D17	613-0020	1	Axle Arm
D18	0041614HTP	12	M16 Bolt
D19	007-0410	8	M20 x 1.5 Wheel Nut (NOT SHOWN)

NOTE: Quantities stated per side (2 Assemblies per Axle)



Section 'E' – Park Brake Assembly

Item	Part No	Qty	Description
E1	613-2500	1	Park Brake Assembly
E2	613-2181	1	Park Brake Disc Mounting Flange
A1	400-2200	1	Nut M24 x 2.00
A2	613-2191	1	Washer

NOTE: This only applies to 613PB specification axles.

